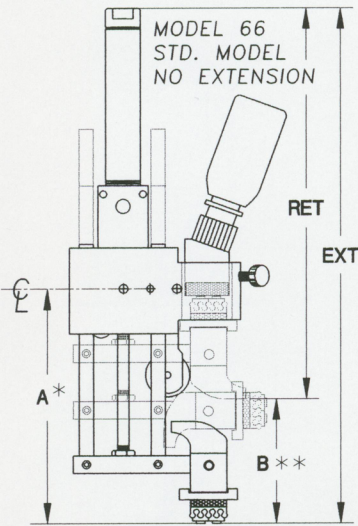
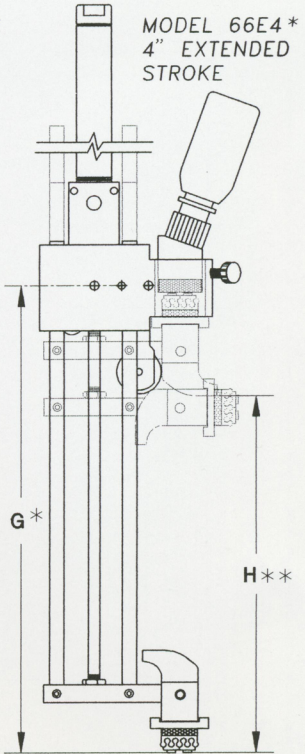
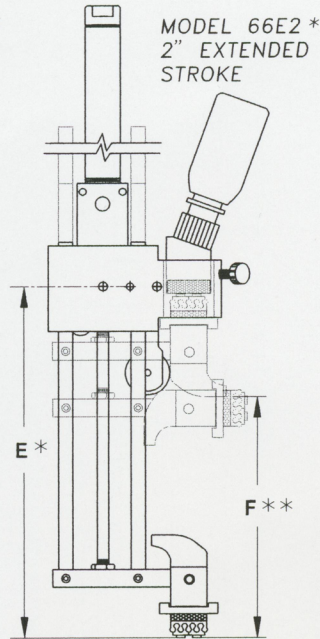
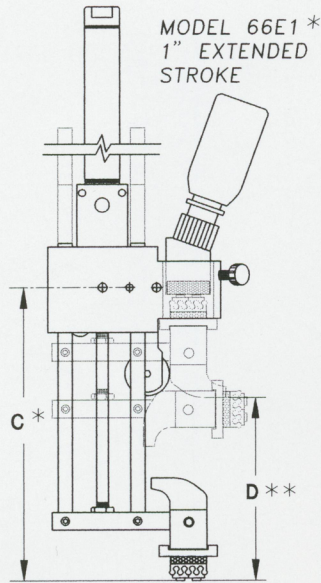


EXTENDED STROKE MODELS



MODEL 66 SHOWN ABOVE FOR ILLUSTRATIVE PURPOSES



* AIR CYLINDER, PISTON ROD, AND CARRIER RODS ARE EXTENDED ACCORDINGLY.
 ** CLEARANCE BELOW MARKING HEAD

MACHINE MOUNTING DETAIL

MODEL	DIM J	THREAD
22	11/16"	6-40
44	3/4"	10-32
66/88/1010	11/16"	10-32
416/616/816	11/16"	10-32

DIMENSIONAL CHARACTERISTICS										
MODEL	STD		E1	E2	E4		STD MODEL		RET	EXT
	A	B	C	D	E	F	G	H		
22	2-5/8"	1-1/2"	3-5/8"	2-1/2"	N/A	N/A	N/A	N/A	4-1/2"	6"
44/416	3-7/8"	2-1/8"	4-7/8"	3-1/8"	5-7/8"	4-1/8"	7-7/8"	6-1/8"	6-1/4"	8-3/8"
66/616	4"	2"	5"	3"	6"	4"	8"	6"	7-3/8"	9-3/8"
88/816	4"	2"	5"	3"	6"	4"	8"	6"	7-3/8"	9-3/8"
1010	4"	2"	5"	3"	6"	4"	8"	6"	7-3/8"	9-3/8"
RETRACTED			STD RET + 1"	STD RET + 2"	STD RET + 4"					
EXTENDED			STD EXT + 2"	STD EXT + 4"	STD EXT + 8"					

RUN A SPRINTER IN YOUR MARKING APPLICATIONS

220 N. FOURTH ST. • ZANESVILLE, OH 43701 • PHONE (614) 453-1000 • FAX (614) 453-6750